

Applications:

The Connect Medical Systems, Medical Gas and Vacuum Terminal Units are suitable for installation into piped medical gas installations within a hospital or laboratory environment.

For refurbishment applications a range of conversion kits are available to convert many other manufacturers existing 1st fix equipment to CMS, which effectively eliminates builders works, in this area of the project.

Special emphasis and consideration at the design stage has resulted in a terminal unit which is quick and easy to install and maintain thus reducing installation time and ownership cost.

The terminal unit is manufactured under strict quality controls in which every terminal unit is subject to full pressure and functionality tests prior to dispatch with a batch number applied for traceability.

Surface / Flush, Pendant, and Bed Head Units are all standard options.

Benefits...

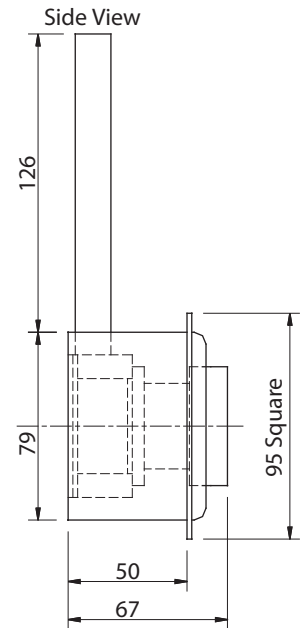
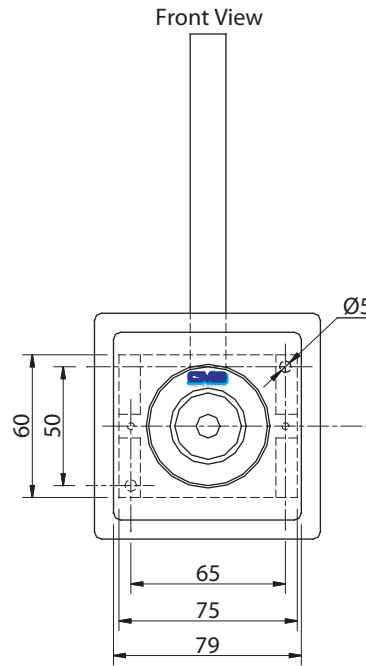
- Designed to comply fully with the stringent requirements for probes meeting BS 5682:1984, BS 6834:1987 (AGSS) BS EN ISO 9170-1 BS EN ISO 9170-2 (AGSS) C11 and HTM 2022, HTM 02-01
- The terminal unit is suitable for surface, flush, bed-head and pendant mounting.
- 100% sealing 1st fix ensures easy servicing.
- High flow capabilities.
- 15mm pipe stub connection as standard with options available to suit specific customer requirements.
- Full range of spare parts always available.
- Conversion kits available to convert existing installations.
- Available for the following medical gas services: - Oxygen, Nitrous oxide, Entonox, Medical Air 400kPa, Surgical Air 700kPa, Heliox, Medical Vacuum, AGSS.
- Each terminal unit is tested prior to dispatch and individually packaged to provide maximum protection during storage & transit.
- Colour coded body and gas identity labels for quick gas recognition.
- Jig fixing plates for alignment in flush mounting applications.

CE
1639

Attributes

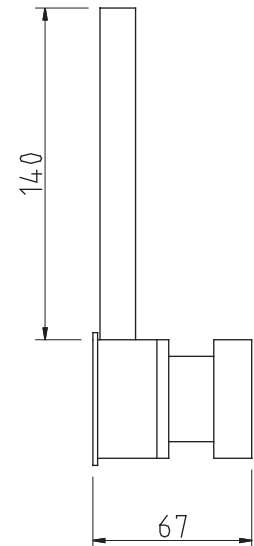
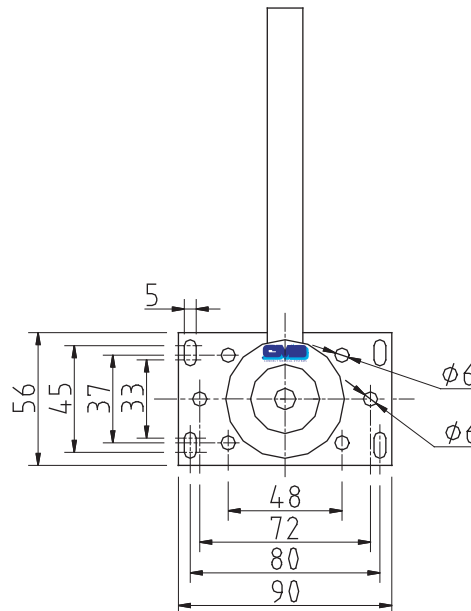
Surface / Flush Mounting

Part No.	Service
0801-0101	Oxygen
0801-0102	Nitrous Oxide
0801-0103	O2/N2O Mix 50/50
0801-0104	Medical Air 4 Bar
0801-0105	Surgical Air 7 Bar
0801-0106	Vacuum
0801-0107	AGSS



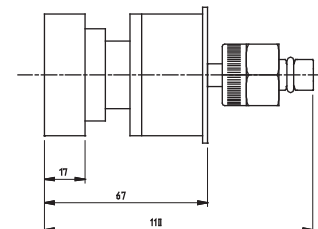
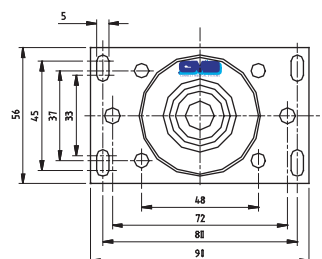
Bedhead Mounting

Part No.	Service
0801-0201	Oxygen
0801-0202	Nitrous Oxide
0801-0203	O2/N2O Mix 50/50
0801-0204	Medical Air 4 Bar
0801-0205	Surgical Air 7 Bar
0801-0206	Vacuum
0801-0207	AGSS



Pendant Mounting

Part No.	Service
0801-0501	Oxygen
0801-0502	Nitrous Oxide
0801-0503	O2/N2O Mix 50/50
0801-0504	Medical Air 4 Bar
0801-0505	Surgical Air 7 Bar
0801-0506	Vacuum
0801-0507	AGSS



Options

- NIST Connection
- Special Gases
- Special Assemblies